

Science and
technology
benefit a better life^o



JULANTE
ELECTRICAL&MECHANICAL TECHNOLOGY



TAIZHOU JULANTE ELECTROMECHANICAL TECHNOLOGY CO., LTD.

Add : Xiazheng Village, Zeguo Town, Wenling City, Zhejiang Province

Tel : +(86)576-86405021 +(86)13806568687

E-mail : cnjlt@cnjlt.cn

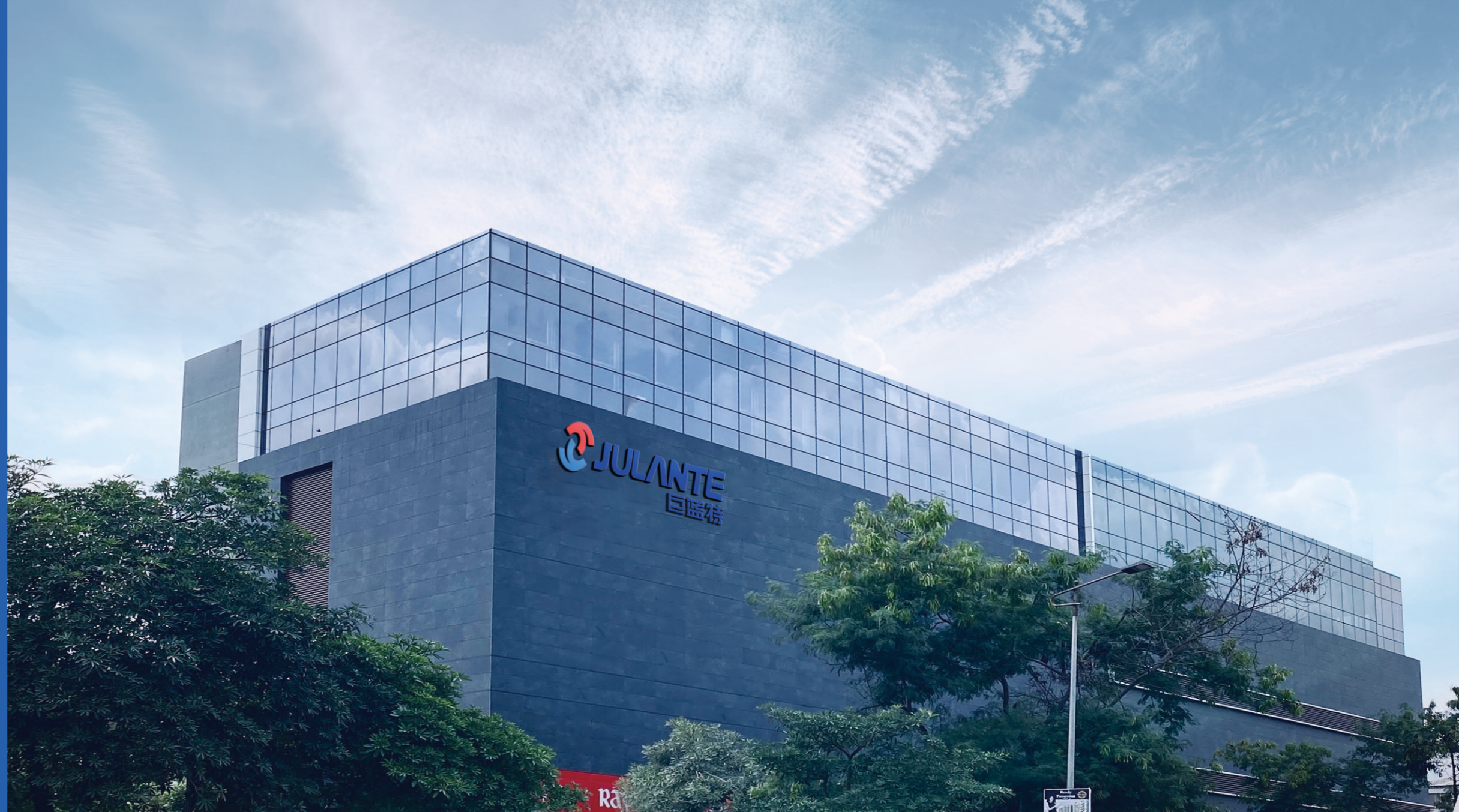




Company Profile

企业简介

科技普惠美好生活



台州巨蓝特机电科技有限公司位于中国浙江省台州市温岭市，已有21年发展历史，目前公司拥有奥翔、呈邦、申浙、巨蓝等4个注册商标。

主要产品包括“YY”、“YC”、“YL”系列单相电动机及“YX3”、“Y3”、“Y2”、“YD”、“YT”、“MS”三相电动机，ZN系列内部混凝土振动器、ZW系列外部混凝土振动器等混凝土振动器。同时公司还生产焊接机、水泵、空压机、磨床、台钻、切割机、轴流风机等。

公司各岗位拥有50多名经理，30名研发技术人员，270名生产员工。公司年生产能力为500,000台电动机和300,000台电焊机。同时，公司产品也赢得了海外客户的青睐。目前，产品出口到美国、韩国、俄罗斯、东南亚、非洲、欧洲等20多个国家和地区。未来，公司将在特种电动机、特种电焊机领域开展多项自主研发项目。逐步从传统产业企业向高新技术企业转变，力争在中国特种机电产业发展史上再创辉煌。

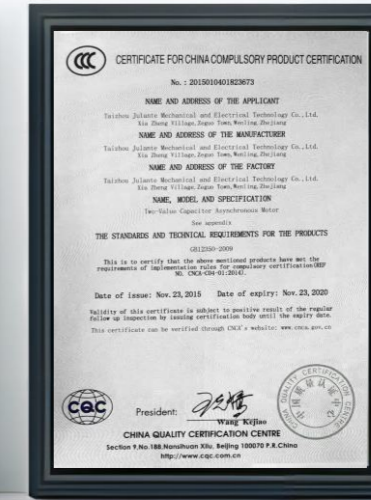
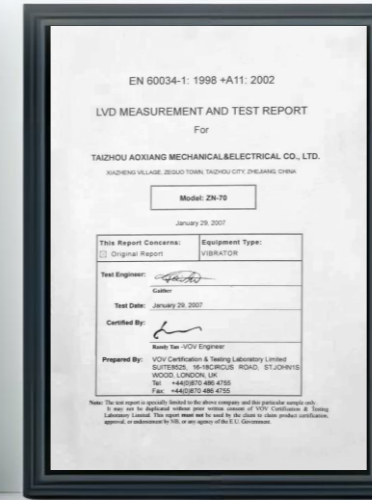
Taizhou Julante Electromechanical Technology Co., Ltd. is located in Wenling City, Taizhou City, Zhejiang Province, China. We have more than 30 years experience in the motor industry line. The company covers an area of 10,000 square meters. At present, the company has four subsidiary corporation. The company has more than 50 managers at different posts, 30 R & D technicians, and 270 production employees.

We are a production-oriented factory and a foreign trade company. Our products cover single-phase motor and three-phase motor, concrete vibration Machine, welding machine, water pump, air compressor, grinder, bench drill, cutting machine, fan and other products. The annual output of more than 500,000 motors and 800,000 Pumps and other mechanical and electrical products. The company's products have won the favor of overseas customers. Currently, our products are exported to more than 20 countries and regions.

CERTIFICATE

实力认证展示

30+ Year
Industry Experience





Product catalog

产品目录

坚持产品质量用心打造每一个细节
Adhere to Product quality,
Craft every
Detail with care



便携式混凝土振动棒
Portable concrete vibrator shaft
P03



混凝土振动棒
Concrete vibrator shaft
P04



柔性轴泵
Flexible shaft pump
P05



便携式平板振动器
Portable power trowel
P09



汽油发动机
Gasoline engine
P10



电动外置式混凝土振动器
Electric external type concrete vibrator
P11



便携式电动混凝土振动器
Portable electric concrete vibrator
P06



电动混凝土振动器
Electric concrete vibrator
P07



外部电动混凝土振动器
External electric concrete vibrator
P08



电动便携式混凝土振动器
Electrical portable concrete vibrator machine
P12

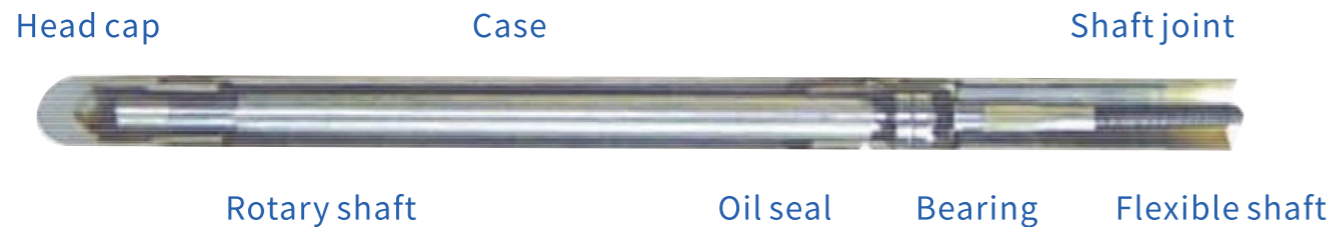


工业振动器动力混凝土振动器
Industrial vibrators power concrete vibrators
P13

科技普惠美好生活
Science and technology
Benefit a better life

CONCRETE VIBRATOR SHAFT

混凝土振动棒

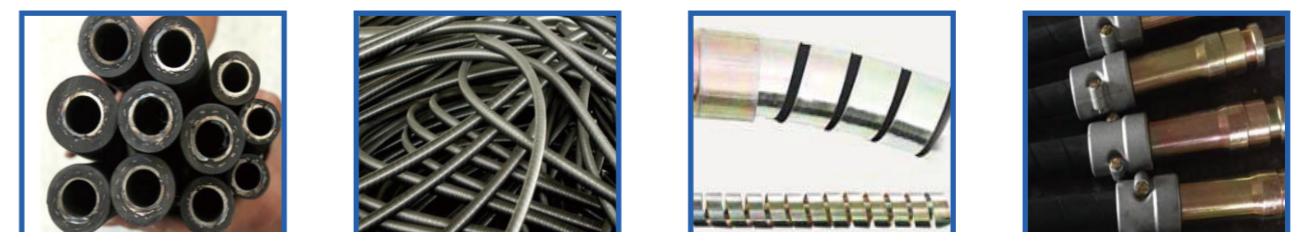


Application:



How to choose:

Hose	
Strip steel material	20#/40#/65# Manganese steel
Steel wire braid	Without/1layer/2 layers(96pcs/120pcs wires per layer)
Flexible shaft	
material	45#/70#steel
Diameter	8mm/10mm/12mm/13mm
Optional	Protective spring, clamp



PORTABLE CONCRETE VIBRATOR SHAFT

CONCRETE VIBRATOR SHAFT

便携式混凝土振动棒

混凝土振动棒



MALAYSIA TYPE



JAPANESE TYPE

CHINESE TYPE

Technical specification:

Model	GDS35
Hose dia	30mm
Flexible shaft dia	10mm
Length	1m~4m
N/W	3kg(1m)
Package	Woven bag/carton box
Optional	Painting/galvanization
Remark: 10pcs/bundle(1~1.5m) 5pcs/bundle(2m) 2pcs/bundle(2.5m~4m) 1pcs/bundle(5m~6m)	

Technical specification:

Model	GDS35	GDS38	GDS45	GDS50	GDS60	GDS70
Head dia	35mm	38mm	45mm	50mm	60mm	70mm
Flexible shaft dia	10mm	10mm	13mm	13mm	13mm	13mm
Length	1m~12m					
Drive unit	Electric motor/gasoline engine/diesel engine					
Packing	Woven bag/ carton box					
Optional	Protective spring					
Coupling	Chinese type/Japanese type/Malaysia type/Turkish type					

FLEXIBLE SHAFT PUMP

PORTABLE ELECTRIC CONCRETE VIBRATOR

柔性轴泵

便携式电动混凝土振动器



Nylon housing

Nylon housing

Aluminum housing

Technical specification:

	Model	GDP20/ GDP30
	Output dia	2"/3"
	Flexible shaft dia	13mm
	Length	4m~12m
	Package	carton box(separate packing)
	Coupling	Chinese/Japanese/Malaysia
	Drive unit	Diesel motor/petrol motor
	Hose packing	75*75*7cm
	Pump head packing	27*21*24cm/5pcs
	Optional	Protective spring

Technical specification:

Model	GD35-1	GD35-2	GD35-3
Picture			
Shell material	Nylon	Nylon	Aluminum
Power	800w	1000w	1200w
No-load speed	4500r/min	4000r/min	4200r/min
Length	1m~1.5m	1m~2m	1m~3m
Voltage	220v		
Rated frequency	50/60hz		
Head dia	35mm		
Color	Red/blue/green/pink/black		
Packing	10pcs/carton		

ELECTRIC CONCRETE VIBRATOR

EXTERNAL ELECTRIC CONCRETE VIBRATOR

电动混凝土振动器

外部电动混凝土振动器



CHINESE TYPE



MALAYSIA TYPE



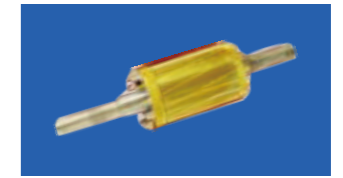
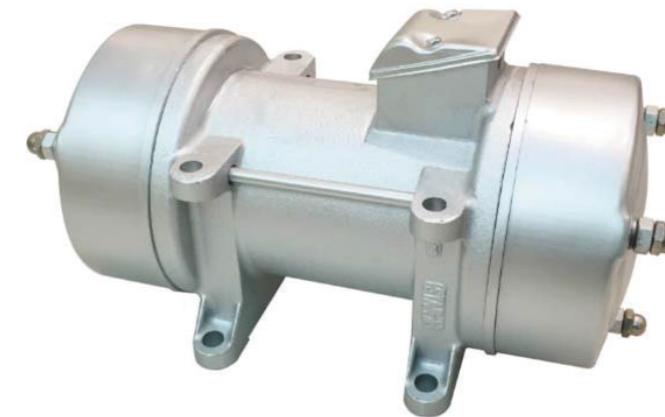
JAPANESE TYPE



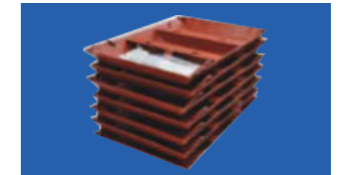
WITH FRAME

Technical specification:

Model	GDE-1
Power	1.5KW/1.8KW/2.2KW/2.5KW/3KW
Voltage	220V/380V
No-load speed	2840r/min
Coupling	CHINESE TYPE/JAPANESE TYPE/MALAYSIA TYPE



转子
Rotor



底板
Floor



Technical specification:

Model	GDE-2
Power	0.25KW/0.75KW/1.5KW/2.2KW/3KW
Voltage	220V/380V
No-load speed	2840r/min
Packing	Wooden box

PORTABLE POWER TROWEL

GASOLINE ENGINE

便携式平板振动器

汽油发动机

Match with concrete vibrator and water pump.
配混凝土振动器和水泵



LONCIN



HONDA



ROBIN



DIESEL

Technacl specifacation:

	Model	GDT
	Power	0.25KW/0.75KW
	Voltage	220V/380V
	No-load speed	2840r/min

Technacl specifacation:

Model	GDG-H	GDG-L	GDG-R	GDD-K
Engine type	Air cooled,4-stroke,single cylinder			
Engine brand	Honda GX160	Loncin G200	Robin EY20	Kama 170F
Power	5.5hp	5.5hp	5.0hp	3.8hp
Application	Submersible pump/concrete vibrator shaft			
Coupling	Chinese type/Japanese type/Malaysia type			

ELECTRIC EXTERNAL TYPE CONCRETE VIBRATOR

ELECTRICAL PORTABLE CONCRETE VIBRATOR MACHINE

电动外置式混凝土振动器

电动便携式混凝土振动器



Technical specification:

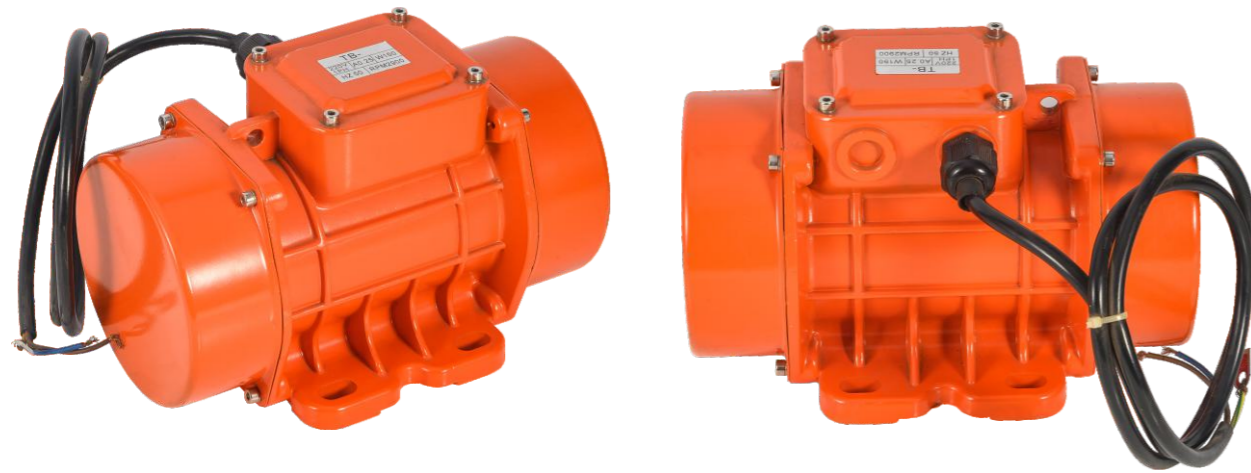
Model	ZW-1	ZW-3.5	ZW-5	ZW-7	ZW-10	ZW-14
Power	0.25KW	0.75KW	1.1KW	1.5KW	2.2KW	3KW
Voltage	380V/220V	380V/220V	380V/220V	380V/220V	380V/220V	380V
Frequency	50/60HZ	50/60HZ	50/60HZ	50/60HZ	50/60HZ	50/60HZ
Rotary Speed	2840 RPM	2840 RPM	2840 RPM	2840 RPM	2840 RPM	2840 RPM

Technical specification:

Model	DIAMETER (MM)	FREQUENCY	VBRANT MARGIN (MM)	SOFG AXLE DIAMETER (MM)	SOFG PIPE DIAMETER (MM)	LEGTH (MM)	WEIGHT (KG)	POWER (KW)	SPEED (R.P.M)	N.W./G.W. (KG)	PACKING DIMENSION (MM)
ZN-35	35	200	0.8	10	30	4000/8000	11/15	1.1	2840	28/29	370*280*305
ZN-50	50	183	1.0	13	36	4000/10600	14/18	1.1	2840	31/32	370*280*305
ZN-50A	50	183	1.0	13	36	4000/12600	14/18	1.5	2840	38/39	370*280*305
ZN-70	70	183	1.2	13	36	4000/16000	14	1.5	2840	35/36	370*280*305
ZN-70A	70	183	1.2	13	36	6000/16000	18	2.2	2840	38/39	370*280*305

INDUSTRIAL VIBRATORS POWER CONCRETE VIBRATORS

工业振动器动力混凝土振动器



Electric concrete vibrator, driven by a motor, transmitted by a flexible shaft, growth by planetary bodies, obtains high-frequency vibration to improve productivity. Combined with the use of plug-in vibrator, concrete vibrator is a kind of mechanized equipment to tamp concrete. Bubbles must be excluded when concrete mixing machine mixed the concrete pouring members, to tamp them hard. Concrete vibrator can dense concrete firmly and eliminate phenomena of Honeycomb, to ensure the strength and quality of concrete structures.

Technical specification:

TYPE	VIBRATION FORCE(KN)	POWER (KW)	CURRENT (A)	FREQUENCY (R/MIN)	WEIGHT (KG)
MVE60/3	0.7	0.065	0.16	2900	4.2
MVE100/3	1	0.09	0.19	2900	4.6
MVE300/3	3	0.25	0.52	2900	9.8
MVE500/3	5	0.37	0.96	2900	15.8
MVE800/3	8	0.55	1.45	2900	20.6
MVE1200/3	12	0.75	1.85	2900	21.6
MVE1600/3	16	1.25	2.94	2900	51.6
MVE4000/3	40	2.7	5.3	2900	107
MVE9000/3	90	7.2	17.8	2900	240.3
MVE40/15	0.3	0.03	0.26	1400	4.6
MVE200/15	2	0.12	0.49	1400	11.8
MVE400/15	4	0.15	0.84	1400	19.5
MVE700/15	7	0.37	1.32	1400	27.4
MVE1100/15	11	0.4	1.4	1400	35.8
MVE2400/15	24	1	3.2	1400	68
MVE4300/15	43	1.94	4.5	1400	134.4
MVE7200/15	72	3	9.6	1400	253
MVE10000/15	100	6.3	14.4	1400	311.8

FEATURES FEATURES

技术特点

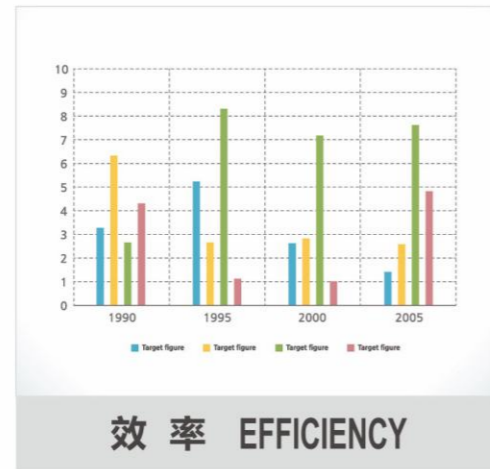
世界级的材料/绝缘等级F级/耐久的密封优质的轴承/坚固的机座设计-FEM设计真空浸漆/FMEA有限元分析/3D质量检测.

World class materials/Class F insulation Durable sealing/Premium bearings Strong body design-FEM designed Vacuum insulation/FMEA analysis/3D quality check



最佳功率/重量比S1连续工作制最佳电气设计

Optimised power/weight ratio S1 continuous duty service Optimized electric design



PTC热敏电阻130°特殊的油脂保留装置耐热防护等级IP66绝缘等级F级.

PTC thermistor 130°C Specific grease retaining device Tropicalised standard IP66 protection Class F insulation

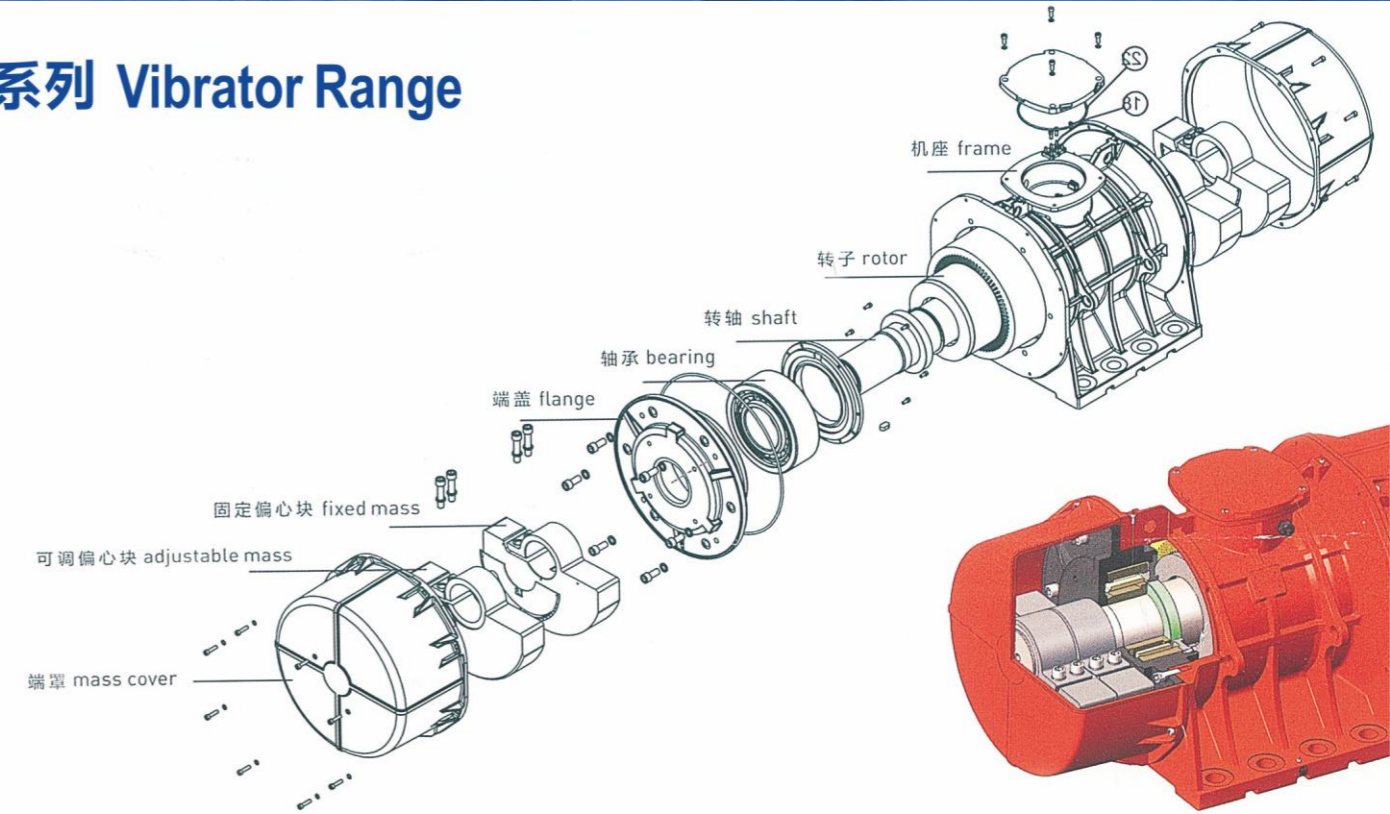


偏心块易调节多电压/频率可选易接线多安装孔

Easy mass adjustment Various voltages and frequencies available Easy access to the terminal box Multiple eye-bolts

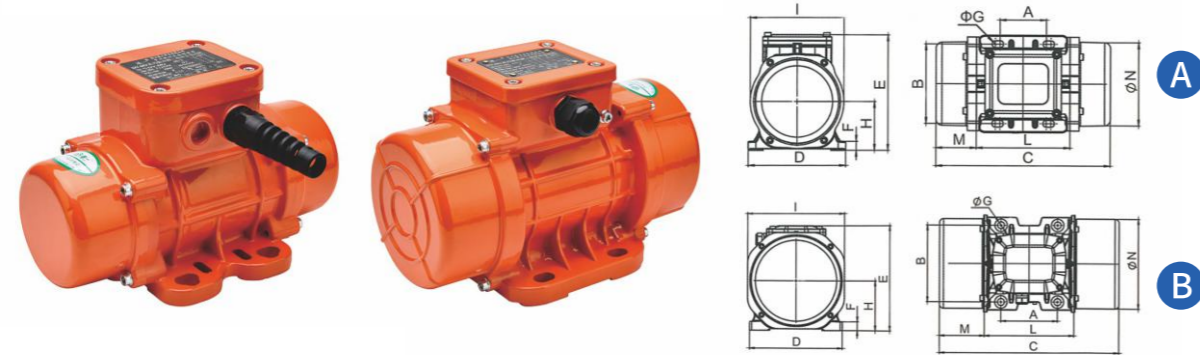


产品系列 Vibrator Range



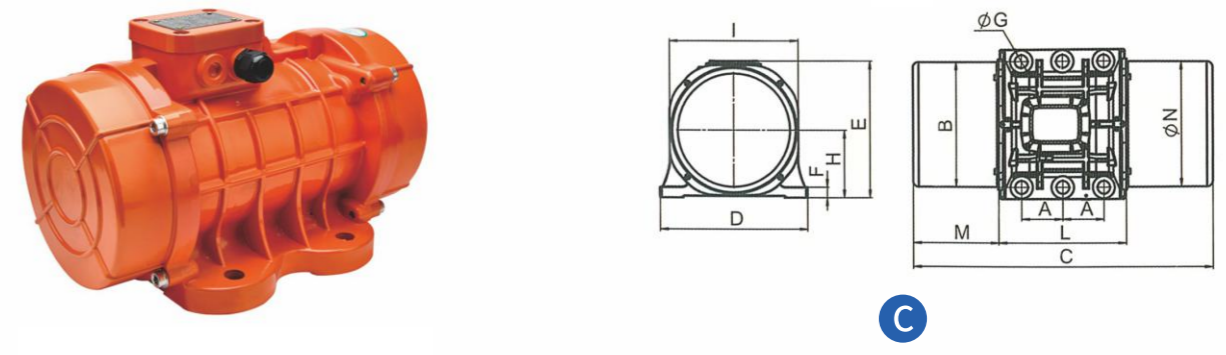
型号 Model		极数 Pole	激振力 Force KN	电压等级 Voltage Class	转速 Speed rpm	激振功率 Power kw	认证 Certifications
标准系列 Standard	2-8极 DY-MVE	2	0.7-150	Three-phase 220V-690V 50Hz or 60Hz	3000	0.03-15	SIZE10-60 MVE3200/3 CCC证书
		4	0.3-141		1500	0.03-8.9	
		6	0.5-400		1000	0.03-30	
		8	1-180		750	0.08-10	
单相 Single-phase	DY-MVE-M	2	0.7-4	115V-60Hz 220V 50Hz	3000	0.08-0.31	
微型 Micro	DY-MIRCO	2	0.04-0.4	Three-phase 220V-490V 50Hz or 60Hz Single-phase 115V 60Hz 220V 50Hz	3000	0.03-0.07	
直流 Direct Current	DY-MVE-DC		0.5-1.0	12V, 24V, 36V	3000	0.1-0.52	
防爆系列 Explosion Proof	2-8极 DY-MVE-D	2	8-90	Three-phase 220V-690V 50Hz or 60Hz	3000	0.55-5.3	SIZEXd II B14 Gb
		4	11-100		1500	0.37-5.8	
		6	3-199		1000	0.16-12	
		8	2-135		750	0.12-8.4	

TECHNICAL PARAMETER



2 PLOES-3000 rpm

型号 Type	激振力 Force		输出功率 Power	电流 Current	重量 Weight	机座号 Size
	kg	kN				
DY-MVE60/3	71	0.7	0.04	0.25	4.7	10A0
DY-MVE100/3	99	1	0.04	0.25	4.9	10A0
DY-MVE200/3	198	2	0.09	0.35	6.6	20A0
DY-MVE300/3	311	3	0.16	0.52	10.2	30A0
DY-MVE400/3	400	4	0.2	0.58	11.0	30A0
DY-MVE500/3	516	5	0.37	0.96	16.0	40A0
DY-MVE700/3	750	7	0.45	1.25	16.8	40A0
DY-MVE800/3	788	8	0.55	1.45	20.1	50A0
DY-MVE1200/3	1018	10	0.75	1.85	21.8	50A0
DY-MVE1300/3	1386	13	1.1	2.44	23.9	50A0
DY-MVE1600/3	1571	16	1.25	2.94	54.0	60A0
DY-MVE2000/3	2033	20	2	3.75	55.8	60A0
DY-MVE2300/3	2310	23	2	4.44	57.0	60A0
DY-MVE3200/3	3250	32	2.2	5.3	109.0	75A1
DY-MVE4000/3	4030	40	2.3	5.3	105.2	75A1
DY-MVE5000/3	5070	50	3.5	7.22	110.0	75A1
				Amax(△)		
DY-MVE8500/3	6500	65	4.2	9.4	211.0	85A0
DY-MVE9000/3	9030	90	7.2	17.8	215.5	85A0
DY-MVE12000/3	12245	120	10	19	267.7	90A0
DY-MVE15000/3	15204	150	15	27.5	325.0	90A0



2 PLOES-3000 rpm

型号 Type	A	B	C	D	E	F	ØG	H	I	L	M	ØN	电线接头 Cable Gland	图号 Fig
DY-MVE60/3	62-74	106	213	130	136	10	9	50	96	123	45	86	M16X1.5	A
DY-MVE100/3	62-74	106	213	130	136	10	9	50	96	123	45	86	M16X1.5	A
DY-MVE200/3	62-74	106	233	130	158	12	9	65	125	125	54	112	M20X1.5	A
DY-MVE300/3	90	125	255	150	174	14	13	79	150	171	42	135	M20X1.5	B
DY-MVE400/3	90	125	278	150	174	14	13	79	150	171	53.5	135	M20X1.5	B
DY-MVE500/3	105	140	331	170	197	20	13	92	174	175	78	160	M20X1.5	B
DY-MVE700/3	105	140	331	170	197	20	13	92	174	175	78	160	M20X1.5	B
DY-MVE800/3	120	170	321	208	211	22	17	96	185	197	62	170	M20X1.5	B
DY-MVE1200/3	120	170	321	208	211	22	17	96	185	197	62	170	M20X1.5	B
DY-MVE1300/3	120	170	321	208	211	22	17	96	185	197	62	170	M20X1.5	B
DY-MVE1600/3	140	190	402	230	261	26	17	124	240	222	90	222	M25X1.5	B
DY-MVE2000/3	140	190	402	230	261	26	17	124	240	222	90	222	M25X1.5	B
DY-MVE2300/3	140	190	402	230	261	26	17	124	240	222	90	222	M25X1.5	B
DY-MVE3200/3	155	255	516	304	314	30	25	147	285	282	117	265	M32X1.5	B
DY-MVE4000/3	155	255	516	304	314	30	25	147	285	282	117	265	M32X1.5	B
DY-MVE5000/3	155	255	564	304	314	30	25	147	285	282	141	265	M32X1.5	B
DY-MVE6500/3	200	320	624	402	402	40	28	203	394	364	130	378	M32X1.5	B
DY-MVE9000/3	200	320	624	402	402	40	28	203	394	364	130	378	M32X1.5	B
DY-MVE12000/3	125	380	648	415	415	40	39	205	394	388	130	378	M32X1.5	C
DY-MVE15000/3	125	380	648	415	415	40	39	205	394	388	130	378	M32X1.5	C

4 PLOES-1500 rpm

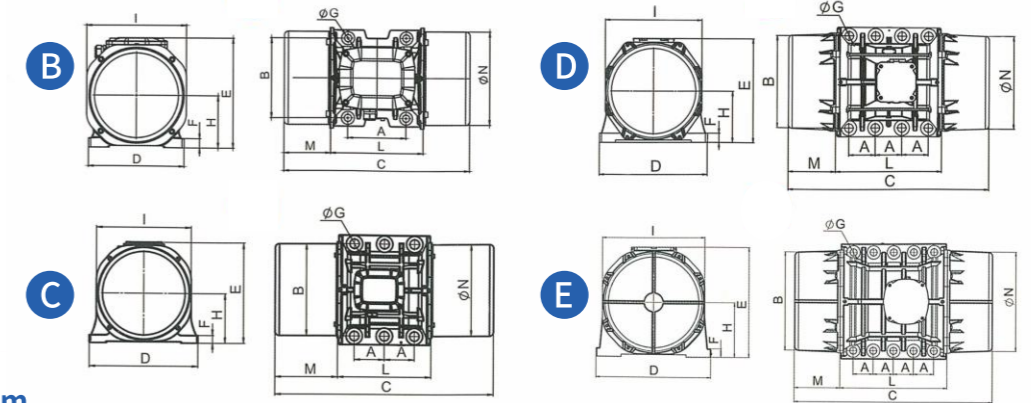
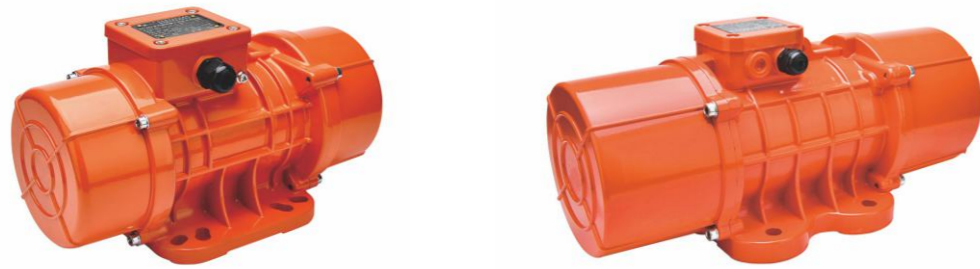
型号 Type	激振力 Force		输出功率 Power	电流 Current	重量 Weight	机座号 Size
	kg	kN				
DY-MVE40/15	32	0.3	0.03	0.31	4.8	10A0
DY-MVE90/15	90	0.9	0.04	0.31	7.1	20A0
DY-MVE200/15	183	2	0.06	0.49	12.1	30A0
DY-MVE250/15	257	2.5	0.07	0.54	13.0	30A0
DY-MVE300/15	305	3	0.08	0.62	13.7	30A0
DY-MVE400/15	388	4	0.15	0.84	19.3	40A0
DY-MVE500/15	518	5	0.25	1.06	21.0	40A0
DY-MVE700/15	693	7	0.37	1.32	27.6	50A0
DY-MVE800/15	807	8	0.4	1.36	28.5	50A0
DY-MVE1100/15	1045	11	0.4	1.4	35.2	50A0
DY-MVE1400/15	1406	14	0.45	1.78	63.2	60A0
DY-MVE1700/15	1757	17	0.75	2.16	67.0	60A0
DY-MVE2400/15	2420	24	1	3.2	75.7	60A0
DY-MVE2500/15	2500	25	1.2	3.08	86.0	70A0
DY-MVE3000/15	3065	30	1.5	3.68	94.0	70A0
DY-MVE3800/15	3830	38	1.72	4.15	125.0	75A0
DY-MVE4300/15	4312	43	1.94	4.5	130.0	75A0
DY-MVE5500/15	5586	55	2.2	6.5	165.8	80A0
				Amax(△)		
DY-MVE7200/15	7191	72	3	8.5	231.0	85A0
DY-MVE9000/15	8933	90	5.8	13.4	246.0	85A0
DY-MVE10000/15	10152	100	6.3	14.4	329.0	90A0
DY-MVE11500/15	11778	116	8.4	15.5	445.0	100A0
DY-MVE14500/15	14465	141	8.9	18.5	460.0	100A0

4 PLOES-1500 rpm

型号 Type	A	B	C	D	E	F	ØG	H	I	L	M	ØN	电线接头 Cable Gland	图号 Fig
DY-MVE40/15	62-74	106	213	130	136	10	9	50	96	123	45	86	M16X1.5	A
DY-MVE90/15	62-74	106	233	130	158	12	9	65	125	125	54	112	M20X1.5	A
DY-MVE200/15	90	125	278	150	174	14	13	79	150	171	53.5	135	M20X1.5	B
DY-MVE250/15	90	125	305	150	174	14	13	79	150	171	67	135	M20X1.5	B
DY-MVE300/15	90	125	305	150	174	14	13	79	150	171	67	135	M20X1.5	B
DY-MVE400/15	105	140	331	170	197	20	13	92	174	175	78	160	M20X1.5	B
DY-MVE500/15	105	140	331	170	197	20	13	92	174	175	78	160	M20X1.5	B
DY-MVE700/15	120	170	391	208	211	22	17	96	185	197	97	170	M20X1.5	B
DY-MVE800/15	120	170	391	208	211	22	17	96	185	197	97	170	M20X1.5	B
DY-MVE1100/15	120	170	455	208	211	22	17	96	185	197	129	170	M20X1.5	B
DY-MVE1400/15	140	190	446	230	261	26	17	124	240	222	112	222	M25X1.5	B
DY-MVE1700/15	140	190	446	230	261	26	17	124	240	222	112	222	M25X1.5	B
DY-MVE2400/15	140	190	490	230	261	26	17	124	240	222	134	222	M25X1.5	B
DY-MVE2500/15	155	255	501	275	290	30	22	140	265	255	123	236	M25X1.5	B
DY-MVE3000/15	155	255	535	275	290	30	22	140	265	255	140	236	M25X1.5	B
DY-MVE3800/15	155	255	584	304	314	30	23.5	147	285	282	151	265	M32X1.5	B
DY-MVE4300/15	155	255	584	304	314	30	23.5	147	285	282	151	265	M32X1.5	B
DY-MVE5500/15	180	280	603	332	354	35	26	170	330	317	143	311	M32X1.5	B
DY-MVE7200/15	200	320	624	385	402	40	28	203	394	364	130	378	M32X1.5	B
DY-MVE9000/15	200	320	624	385	402	40	28	203	394	364	130	378	M32X1.5	B
DY-MVE10000/15	125	380	728	452	415	40	39	205	394	388	170	378	M32X1.5	C
DY-MVE11500/15	140	440	890	530	484	37	45	232	446	470	210	424	M32X1.5	C
DY-MVE14500/15	140	440	890	530	484	37	45	232	446	470	210	424	M32X1.5	C

注:1可根据客户需求定制特殊电压;2可根据客户需求加工 Friedrich, Invicta等电机安装孔.3.(△)示380V50Hz下“△”接法的电流, 没标是指“Y”型接法380V50Hz下的电流.*机座号SIZE40A0

TECHNICAL PARAMETER



6 PLOES-1000 rpm

型号 Type	激振力 Force		输出功率 Power	电流 Current	重量 Weight	机座号 Size
	kg	kN	kW	A max	kg	
DY-MVE50/1	51	0.5	0.03	0.30	10.0	30A0
DY-MVE100/1	105	1	0.04	0.30	12.7	30A0
DY-MVE200/1	185	1.8	0.05	0.65	19.4	40A0
DY-MVE300/1	308	3	0.16	0.67	27.3	50A0
DY-MVE400/1	408	4	0.25	1.22	30.8	50A0
DY-MVE500/1	510	5	0.37	1.22	34.6	50A0
DY-MVE800/1	781	7.8	0.45	1.42	64.4	60A0
DY-MVE1100/1	1067	11	0.55	1.42	83.1	60A0
DY-MVE1400/1	1378	14	0.70	1.95	85.6	60A0
DY-MVE1600/1	1600	16	0.75	2.06	88.4	60A0
DY-MVE1620/1	1622	16	0.75	2.40	96.0	70A0
DY-MVE2100/1	2026	21	1.1	3.00	108.0	70A0
DY-MVE2600/1	2573	26	1.5	4.10	146.0	75A0
DY-MVE3000/1	2931	30	1.7	4.50	155.0	75A0
DY-MVE3800/1	3762	38	2	5.50	188.0	80A0
DY-MVE4700/1	4682	47	2.35	6.50	206.2	80A0
DY-MVE5200/1	5266	52	2.6	6.92	260.0	85A0
DY-MVE6500/1	6582	65	2.9	7.76	280.0	85A0
				A max(Δ)		
DY-MVE8000/1	8056	80	4.5	12.6	300.0	85A0
DY-MVE9000/1	9098	90	5	13.2	311.0	85A0
DY-MVE10000/1	10106	100	6	14.0	401.5	90A0
DY-MVE13000/1	13276	130	7	16.4	438.0	90A0
DY-MVE15000/1	15077	144	9	18.0	686.5	105A0
DY-MVE17500/1	17855	176	11	21.0	744.0	105A0
DY-MVE19500/1	20056	199	12	24.0	768.0	105A0
DY-MVE22000/1	22730	223	16	28.0	916.0	110A0
DY-MVE25000/1	25879	250	16	28.0	994.0	110A0
DY-MVE30000/1	30800	300	23	52.5	1231.0	120A0
DY-MVE40000/1	41252	400	30	62.2	1765.0	120A0

*机座号SIZE105A0 *机座号SIZE50A0

注: 1可根据客户需求定制特殊电压; 2可根据客户需求加工 Friedrich, Invicta等电机安装孔. 3.(Δ)示380V50Hz下“△”接法的电流, 没标是指“Y”型接法380V50Hz下的电流。

6 PLOES-1000 rpm

型号 Type	A	B	C	D	E	F	ØG	H	I	L	M	ØN	电线接头 Cable Gland	图号 Fig
DY-MVE50/1	90	125	278	150	174	14	13	79	150	171	53.5	135	M20X1.5	B
DY-MVE100/1	90	125	305	150	174	14	13	79	150	171	67	135	M20X1.5	B
DY-MVE200/1	105	140	331	170	197	20	13	92	174	175	78	160	M20X1.5	B
DY-MVE300/1	120	170	391	208	211	22	17	96	185	197	97	170	M20X1.5	B
DY-MVE400/1	120	170	455	208	211	22	17	96	185	197	129	170	M20X1.5	B
DY-MVE500/1	120	170	455	208	211	22	17	96	185	197	129	170	M20X1.5	B
DY-MVE800/1	140	190	446	230	261	26	17	124	240	222	112	222	M25X1.5	B
DY-MVE1100/1	140	190	490	230	261	26	17	124	240	222	134	222	M25X1.5	B
DY-MVE1400/1	140	190	566	230	261	26	17	124	240	222	172	222	M25X1.5	B
DY-MVE1600/1	140	190	566	230	261	26	17	124	240	222	172	222	M25X1.5	B
DY-MVE1620/1	155	225	563	275	290	30	22	140	256	255	154	236	M25X1.5	B
DY-MVE2100/1	155	225	623	275	290	30	22	140	256	255	184	236	M25X1.5	B
DY-MVE2600/1	155	255	692	304	314	30	23.5	147	285	282	205	265	M32X1.5	B
DY-MVE3000/1	155	255	692	304	314	30	23.5	147	285	282	205	265	M32X1.5	B
DY-MVE3800/1	180	280	683	332	354	35	26	170	330	317	183	311	M32X1.5	B
DY-MVE4700/1	180	280	733	332	354	35	26	170	330	317	208	311	M32X1.5	B
DY-MVE5200/1	200	320	704	385	402	40	28	203	394	364	170	378	M32X1.5	B
DY-MVE6500/1	200	320	704	385	402	40	28	203	394	364	170	378	M32X1.5	B
DY-MVE8000/1	200	320	774	385	402	40	28	203	394	364	205	378	M32X1.5	B
DY-MVE9000/1	200	320	774	385	402	40	28	203	394	364	205	378	M32X1.5	B
DY-MVE10000/1	125	380	908	452	415	40	39	205	394	388	260	378	M32X1.5	C
DY-MVE13001/1	125	380	948	452	415	40	39	205	394	388	280	378	M32X1.5	C
DY-MVE15000/1	140	480	980	570	542	48	45	268	510	560	210	490	M32X1.5	D
DY-MVE17500/1	140	480	1060	570	542	48	45	268	510	560	250	490	M32X1.5	D
DY-MVE19500/1	140	480	1060	570	542	48	45	268	510	560	250	490	M32X1.5	D
DY-MVE22000/1	140	520	1130	610	594	42	45	297	560	560	285	530	M32X1.5	D
DY-MVE25000/1	140	520	1130	610	594	42	45	297	560	560	285	530	M32X1.5	D
DY-MVE30000/1	140	600	1167	700	636	45	45	320	610	585	291	600	M32X1.5	D
DY-MVE40000/1	130	630	1278	740	704	55	45	350	660	690	294	631	M32X1.5	E

TECHNICAL PARAMETER

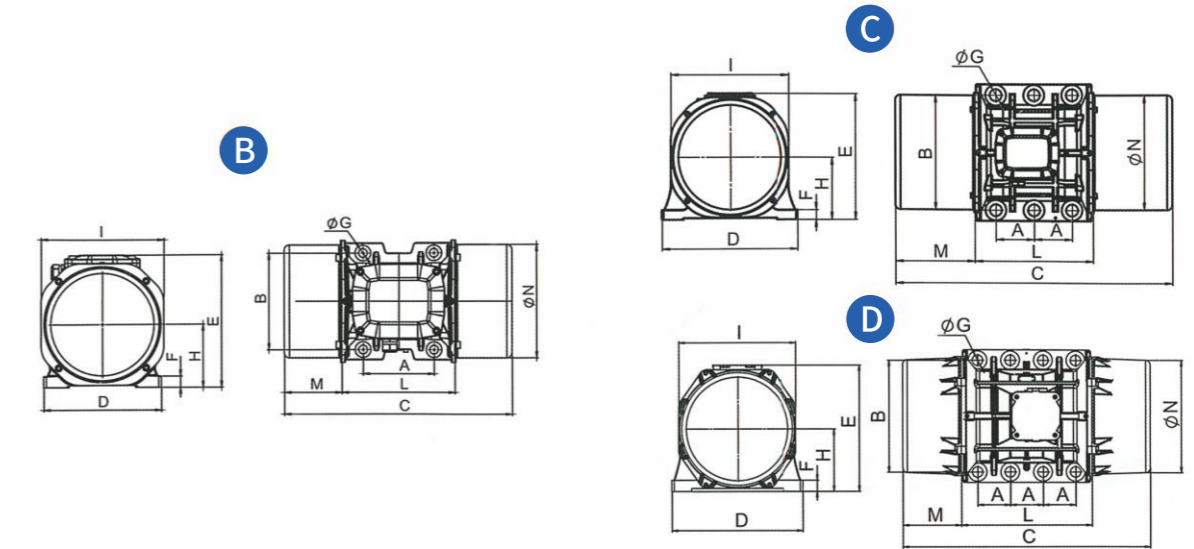


8 PLOES-750 rpm

型号 Type	激振力 Force		输出功率 Power kW	电流 Current A max	重量 Weight kg	机座号 Size
	kg	kN				
DY-MVE150/075	105	1	0.08	1.14	20.0	40A0
DY-MVE250/075	180	2	0.12	0.90	28.0	50A0
DY-MVE400/075	264	2.5	0.12	0.90	34.7	50A0
DY-MVE650/075	431	4.5	0.2	1.20	69.0	60A0
DY-MVE900/075	589	6	0.45	1.23	72.5	60A0
DY-MVE1300/075	941	9	0.56	2.20	98.0	70A0
DY-MVE2100/075	1468	15	1	2.81	146.0	75A0
DY-MVE3100/075	2116	21	1.4	4.50	202.0	80A0
DY-MVE3800/075	2578	25	1.75	6.00	205.6	80A0
DY-MVE4200/075	2962	30	2.1	7.15	254.0	85A0
DY-MVE5300/075	3759	35	2.7	8.00	288.1	85A0
DY-MVE6500/075	4588	45	3.65	8.78	312.9	85A0
DY-MVE10000/075	6935	70	5.1	13.5	438.0	90A0
DY-MVE12000/075	9133	87	6.1	13.5	571.0	100A0
DY-MVE14000/075	11581	114	7.4	19.0	571.0	105A0
DY-MVE17000/075	13852	135	8.4	20.0	812.0	105A0
DY-MVE22000/075	18388	180	10	28.0	982.0	110A0
DY-MVE30000/075	21521	210	18	37.6	1150.0	120A0

*1机座号SIZE105A0 *2机座号SIZE50A0

注:1可根据客户需求定制特殊电压;2可根据客户需求加工 Friedrich. Invicta等电机安装孔 3. (△)示380V50Hz下“△”接法的电流, 没标是指“Y”型接法380V50Hz下的电流。

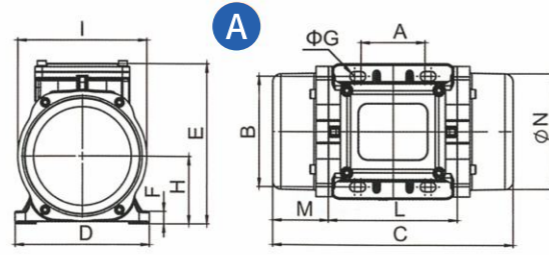


8 PLOES-750 rpm

型号 Type	A	B	C	D	E	F	ØG	H	I	L	M	ØN	电线接头 Cable Gland	图号 Fig
DY-MVE150/075	105	140	331	170	197	20	13	92	174	175	78	160	M20X1.5	B
DY-MVE250/075	120	170	391	208	211	22	17	96	185	197	97	170	M20X1.5	B
DY-MVE400/075	120	170	455	208	211	22	17	96	185	197	129	170	M20X1.5	B
DY-MVE650/075	140	190	446	230	261	26	17	124	240	222	112	222	M25X1.5	B
DY-MVE900/075	140	190	490	230	261	26	17	124	240	222	134	222	M25X1.5	B
DY-MVE1300/075	155	225	563	275	290	30	22	140	256	255	154	236	M25X1.5	B
DY-MVE2100/075	155	225	692	304	314	30	23.5	147	285	282	205	265	M32X1.5	B
DY-MVE3100/075	180	280	683	332	354	35	26	170	330	317	183	311	M32X1.5	B
DY-MVE3800/075	180	280	733	332	354	35	26	170	330	317	208	311	M32X1.5	B
DY-MVE4200/075	200	320	704	385	402	40	28	203	394	364	170	378	M32X1.5	B
DY-MVE5300/075	200	320	704	385	402	40	28	203	394	364	170	378	M32X1.5	B
DY-MVE6500/075	200	320	774	385	402	40	28	203	394	364	205	378	M32X1.5	B
DY-MVE10000/075	125	380	948	452	415	40	39	205	394	388	280	378	M32X1.5	C
DY-MVE12000/075	140	440	1020	530	484	37	45	232	446	470	275	424	M32X1.5	C
DY-MVE14000/075	140	480	1060	570	542	48	45	268	510	560	250	490	M32X1.5	D
DY-MVE17000/075	140	480	1120	570	542	48	45	268	510	560	280	490	M32X1.5	D
DY-MVE22000/075	140	520	1130	610	594	42	45	297	560	560	285	530	M32X1.5	D
DY-MVE30000/075	140	600	1167	700	635.5	45	45	320	610	585	291	602	M32X1.5	D

TECHNICAL PARAMETER

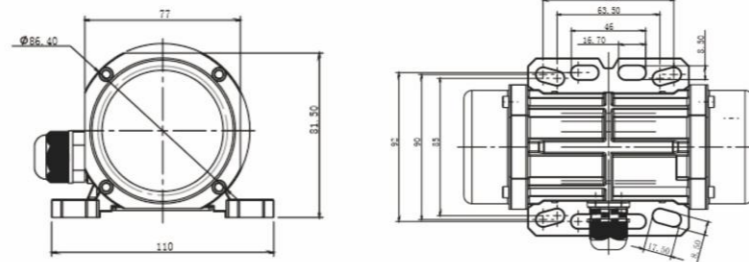
单相 2/4 PLOES SINGLE-PHASE-3000/1500 rpm



单相 SINGLE-PHASE

型号 Type	激振力 Force		输出功率 Power	电流 Current	重量 Weight	电容 Capacitor	机座号 Size
	kg	kN	kW	A max	kg	μF	
DY-MVE60/3	66	0.7	0.08	0.43	4.7	4	10A0
DY-MVE100/3	99	1	0.1	0.54	4.8	4	10A0
DY-MVE200/3	197	2	0.13	1.14	6.6	5	20A0
DY-MVE300/3	311	3	0.29	1.58	10.2	12	30A0
DY-MVE400/3	400	4	0.31	1.66	10.7	12	30A0
DY-MVE200/15	183	2	0.08	0.8	12.1	8	30A0

型号 Type	A	B	C	D	E	F	ØG	H	I	L	M	ØN	电线接头 Cable Gland	图号 Fig
DY-MVE60/3	62-74	106	213	130	136	10	9	50	96	123	45	86	M16X1.5	A
DY-MVE100/3	62-74	106	213	130	136	10	9	50	96	123	45	86	M16X1.5	A
DY-MVE200/3	62-74	106	233	130	158	12	9	65	125	125	54	112	M20X1.5	A
DY-MVE300/3	90	125	255	150	174	14	13	79	150	171	42	135	M20X1.5	B
DY-MVE400/3	90	125	278	150	174	14	13	79	150	171	53.5	135	M20X1.5	B
DY-MVE200/15	90	125	278	150	174	14	13	79	150	171	53.5	135	M20X1.5	B



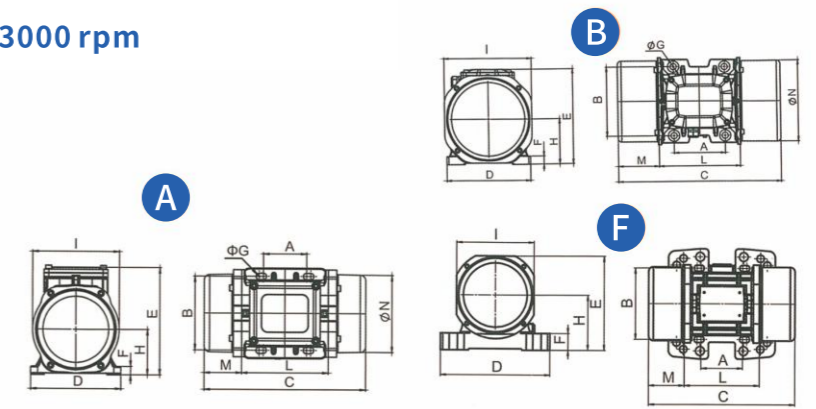
单相 SINGLE-PHASE

型号 Type	电压 Volt	电流 Current	功率 Power	振动力 Force	激振功率 Frequency		机座号 Size	电机尺寸 MM		
					50HZ	60HZ		长	宽	高
DY-0.1a	220V/110V	0.10A/0.20A	15W	10	2940	3450	2	145	110	75
DY-0.1b	220V/110V	0.13A/0.26A	20W	15	2940	3450	2	145	110	75
DY-0.1	220V/110V	0.13A/0.26A	30W	20	2940	3450	2	145	110	75
DY-0.4	220V/110V	0.18A/0.38A	40W	25	2940	3450	2	145	110	75
DY-0.28	220V/110V	0.23A/0.45A	50W	32	2940	3450	3	170	110	75
DY-0.6	220V/110V	0.28A/0.50A	60W	38	2940	3450	3	170	110	75
DY-0.7	220V/110V	0.30A/0.64A	70W	40	2940	3450	3	170	110	75
DY-0.8	220V/110V	0.32A/0.96A	80W	45	2940	3450	3	170	110	75
DY-0.9	220V/110V	0.34A/1.20A	90W	48	2940	3450	3	170	110	75
DY-100	220V/110V	0.45A/1.30A	100W	50	2940	3450	3	170	110	75
DY-120	220V/110V	0.46A/1.63A	120W	55	2940	3450	3A	189	110	82

三相 THREE-PHASE

型号 Type	电压 Volt	电流 Current	功率 Power	振动力 Force	激振功率 Frequency		机座号 Size	电机尺寸 MM		
					50HZ	60HZ		长	宽	高
DY-0.1A	380V/220V	0.06A/0.08A	15W	10	2940	3450	2	145	110	75
DY-0.1B	380V/220V	0.08A/0.10A	20W	15	2940	3450	2	145	110	75
DY-0.1a	380V/220V	0.10A/0.12A	30W	20	2940	3450	2	145	110	75
DY-0.4a	380V/220V	0.14A/0.16A	40W	25	2940	3450	2	145	110	75
DY-0.28a	380V/220V	0.20A/0.28A	50W	30	2940	3450	3	170	110	75
DY-0.6a	380V/220V	0.21A/0.30A	60W	35	2940	3450	3	170	110	75
DY-0.7a	380V/220V	0.23A/0.32A	70W	40	2940	3450	3	170	110	75
DY-0.8a	380V/220V	0.25A/0.36A	80W	45	2940	3450	3	170	110	75
DY-0.9a	380V/220V	0.26A/0.38A	90W	50	2940	3450	3	170	110	75
DY-100a	380V/220V	0.30A/0.40A	100W	55	2940	3450	3	170	110	75
DY-120a	380V/220V	0.32A	120W	58	2940	3450	3A	189	110	82

直流 DC DIRECT CURRENT 3000 rpm



型号 Type	电压 Volt	激振力 Force	振次 Frequency	激振功率 Power	电流 Current	重量 Weight	机座号 Size
DY-MVE50/3	24V	50	0.5	3000	0.1	4.2	10A0
DY-MVE50/3	12V	50	0.5	3000	0.1	9.4	10A0
DY-SIZE100 BLDC	24V	49	0.5	2100	120	5	10A0
		99	1	3000	120	5	10A0
DY-SIZE200 BLDC	24V	98	1	2100	120	5	20A0
		198	2	3000	120	5	20A0
DY-MVE200/3	24V	200	2	3000	0.16	6.67	23A0
DY-MVE200/3	12V	200	2	3000	0.16	13.3	23A0
DY-MVE500/3	24V	530	5	3000	0.25	11	40A0
DY-MVE1500/3	24V	1616	10	3000	0.25	21.5	50A0

型号 Type	A	B	C	D	E	F	ØG	H	I	L	M	ØN	电线接头 Cable Gland	图号 Fig
DY-MVE50/3	62-74	106	213	130	136	10	9	50	96	123	45	86	M16X1.5	A
DY-MVE50/3	62-74	106	213	130	136	10	9	50	96	123	45	86	M16X1.5	A
DY-SIZE100 BLDC	62-74	106	213	130	136	10	9	50	96	123	45	86	M16X1.5	A
DY-SIZE200 BLDC	62-74	106	233	130	158	12	9	65	125	125	54	112	M20X1.5	A
DY-MVE200/3	62-74	106	218	164	140	25	9	82	123	123	53	110	M20X1.5	F
DY-MVE200/3	62-74	106	218	164	140	25	9	82	123	123	53	110	M20X1.5	F
DY-MVE500/3	105	140	331	170	197	20	13	92	175	175	78	160	M20X1.5	B
DY-MVE1500/3	120	170	327	208	211	22	17	96	197	197	65	170	M20X1.5	B

FEATURES FEATURES

技术特点

安装 Mounting

振动电机的安装面必须平整，安装表面的平面度公差应低于0.25mm，以确保螺栓拧紧时振动电机壳体产生的内应力最小，从而避免底脚的断裂。

振动电机底脚螺栓应根据孔径选用相应不低于8.8级的高强度螺栓和8级的螺母及平垫。

下表是各类相关螺栓的拧紧力矩，请务必按相对应的力矩拧紧底脚螺栓。

The mounting surface of the vibration motor must be flat, and the flatness tolerance of the mounting surface should be less than 0.25mm to ensure that the internal stress generated by the vibration motor housing is minimized when the bolts are tightened, so as to avoid the fracture of the foot. The foot bolts of the vibration motor should be selected according to the hole diameter.

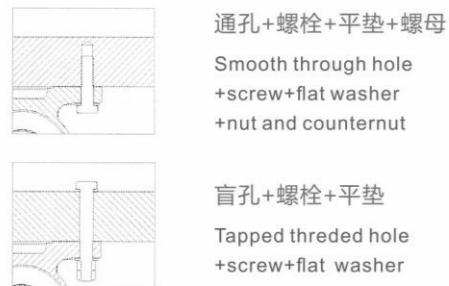
8.8 high-strength bolts and 8 nuts and flat washers.

The following table shows the tightening torque of various related bolts. Please be sure to tighten the foot bolts according to the corresponding torque.

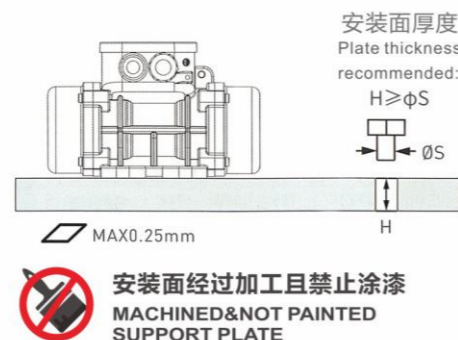
电机/设备安装面 Motor/machine interface

螺栓 Screw		垫片 Washer		拧紧力矩 Clamping torque	
公制 Metric	英制 Imperial	公制 Metric	英制 Imperial	{Nm}	{ft-Lb}
M6	1/4"	6.4x12	1/4"	9	6.5
M8	5/16"	8.4x16	5/16"	23	16.5
M10	3/8"	10.5x20	3/8"	45	33
M12	1/2"	13x24	1/2"	80	58
M16	5/8"	17x30	5/8"	185	137
M20	13/16"	21x37	13/16"	373	275
M22	7/8"	23x39	7/8"	550	411
M24	15/16"	25x44	15/16"	696	513
M27	1"	28x50	1"	873	645
M36	1-3/8"	37x66	1-3/8"	1.864	1.370
M42	1-5/8"	43x78	1-5/8"	2.850	2.102

固定 FIXING



安装面平面度公差 Surface Flatness Tolerance



电气连接 Electrical connection

确保电压和频率与振动电机铭牌上的数值一致。将电源线穿过电缆接头，电缆导体标称截面应符合所要求。

请严格按图接线并用图示力矩拧紧接线螺母。注意电源线中的黄绿双色线应可靠接地！

盖上接线盒盖之前请确保垫圈位置摆放正确，以保证达到防护等级。

更多安装信息请查看产品使用说明书。

Ensure that the voltage and frequency are consistent with the values on the nameplate of the vibration motor. Pass the power cord through the cable connector, and the nominal cross-section of the cable conductor should meet the required requirements.

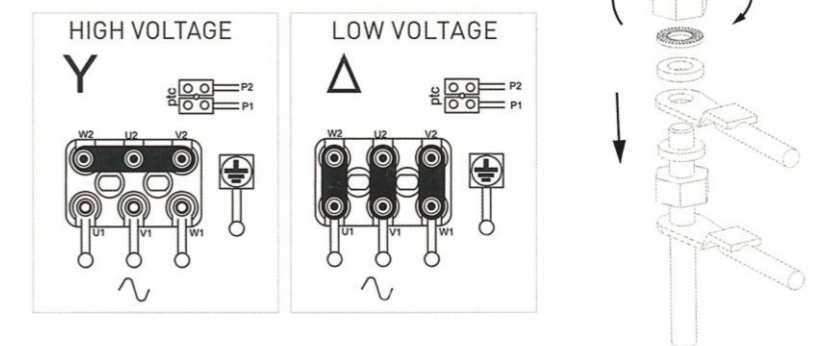
Please strictly follow the diagram and tighten the wiring nut with the torque shown in the figure. Note that the yellow and green wires in the power cord should be reliably grounded!

Before closing the junction box cover, make sure that the gasket is placed in the correct position to ensure the protection level.

For more installation information, please check the product manual.

接线螺母力矩 Junction box nuts tightening torque		
螺栓 Screw	{Nm}	{ft-Lb}
M4	2.5	1.84
M5	4	2.95
M6	5	3.69
M8	6	4.43
M10	8	5.90

接线图 Terminal Connections



过载保护 Overload protection

所有振动电机必须外接过载保护装置。

当两台振动电机同时使用时，每台都需连接过载保护装置，且这两台过载保护装置是联动的，即一台振动电机停止运行时，另一台振动电机也会立刻停止运行。

All vibration motors must be connected to an overload protection device.

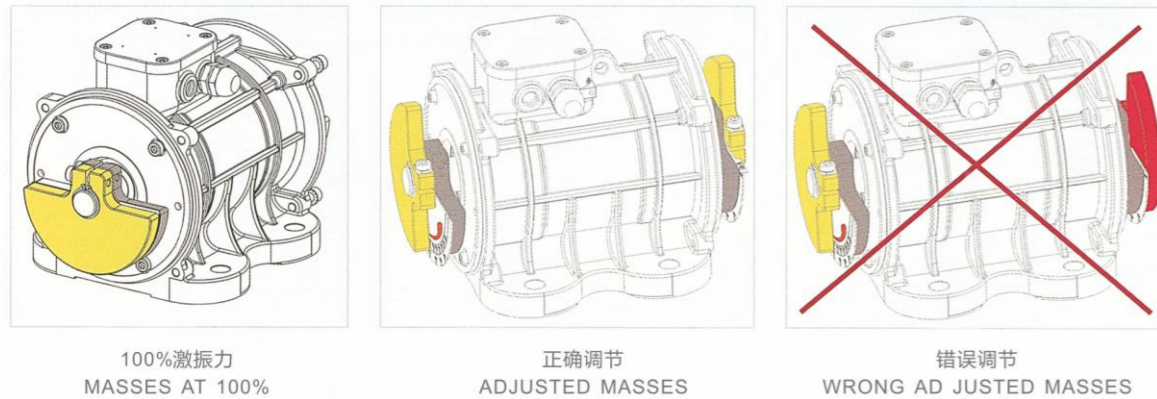
When two vibration motors are used at the same time, each one needs to be connected with an overload protection device, and the two overload protection devices are linked, that is, when one vibration motor stops running, the other vibration motor will also stop running immediately.

VIBRATION INTENSITY ADJUST

激振力调节

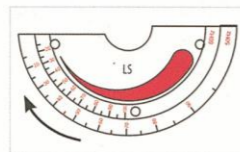
偏心块调节-类型A

Adjustable masses-Type A

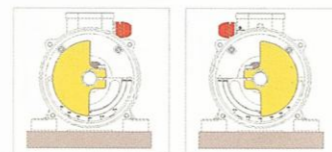


根据偏心块指示牌
调节所需激振力：
总是从指示牌上粗
的标识向细的标识
调节。

Rotate the mass
following the
design on the
plate: from the
thicker tip towards
the thin tip.



偏心块旋转方向
和接线头相反。
Rotate the masses
in the opposite
direction to the
cable gland.



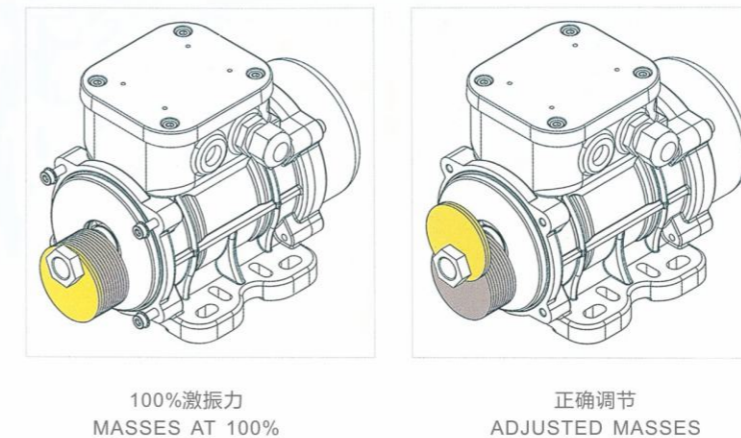
偏心块调节-类型B

Adjustable masses-Type B



偏心块调节-类型C

Adjustable masses-Type C (blade masses)



片状偏心块总数 Number of blades	5+5	8+8	9+9	12+12
两边各翻起一片减少的激振力 (%) The force reduced if turn up one on both side	40	25	22.2	16.7



警告:安装前请勿对新电机添加油脂

Warning:DO NOT grease new motors before installation.